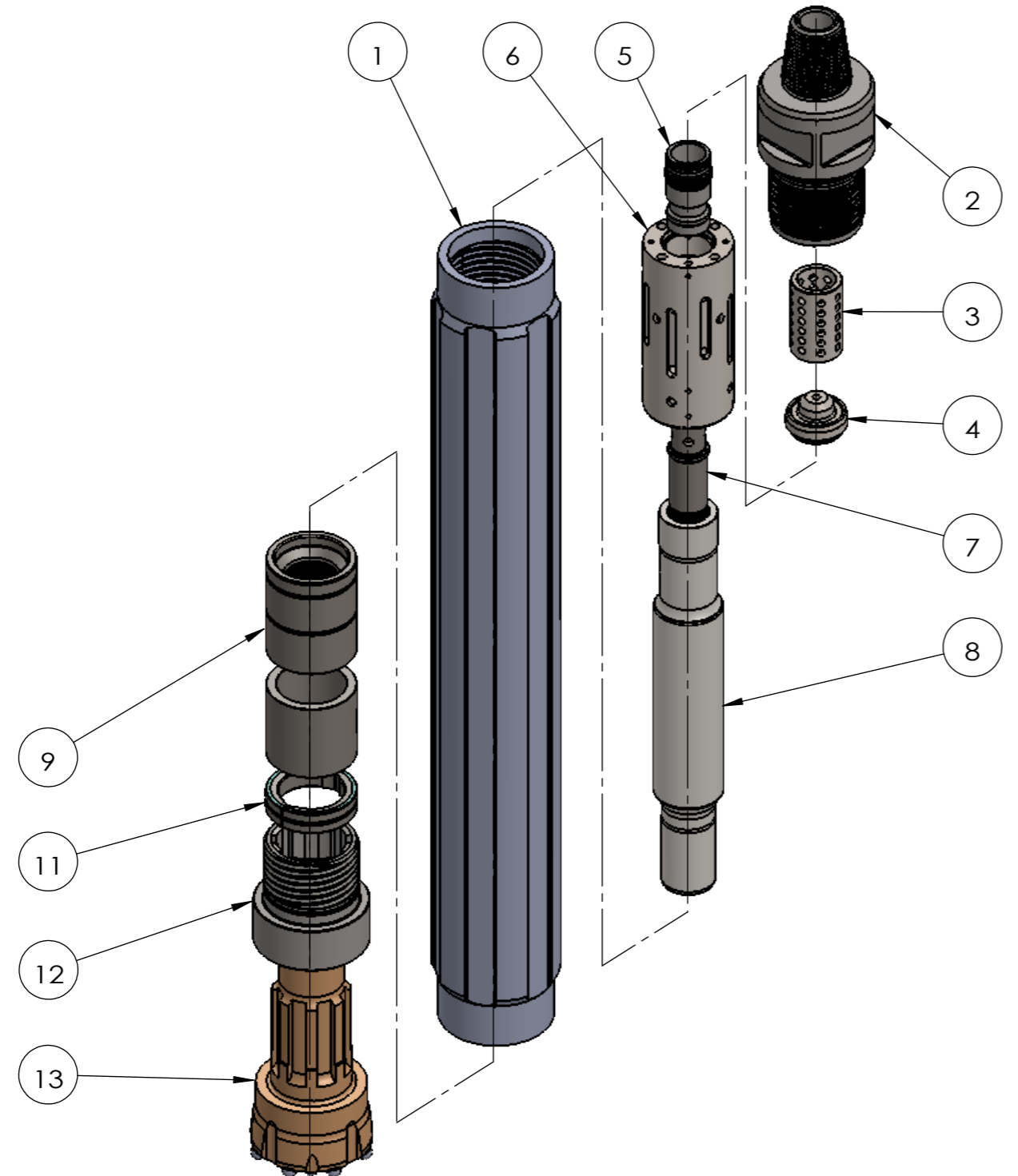
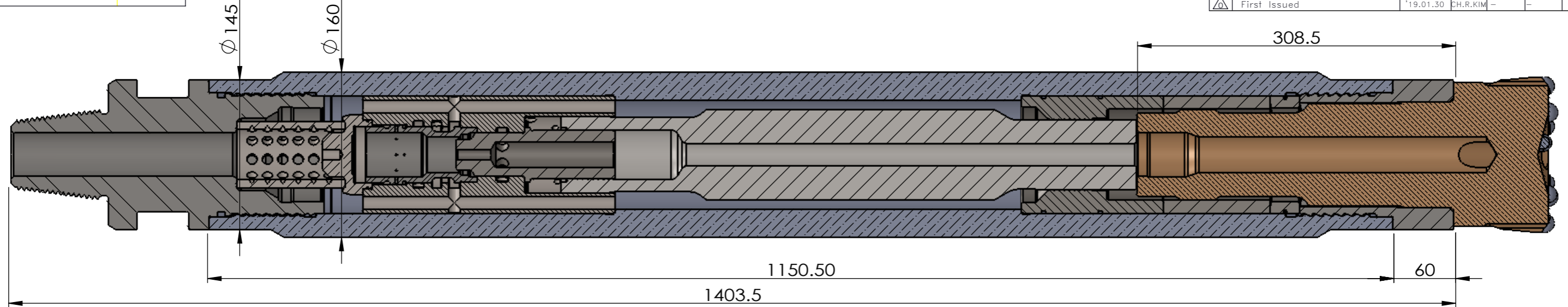


REV.	DESCRIPTION	DATE	DWG	CH'D	CH'D	APP'D
△	First Issued	'19.01.30	CH.R.KIM	-	-	C.G.LEE



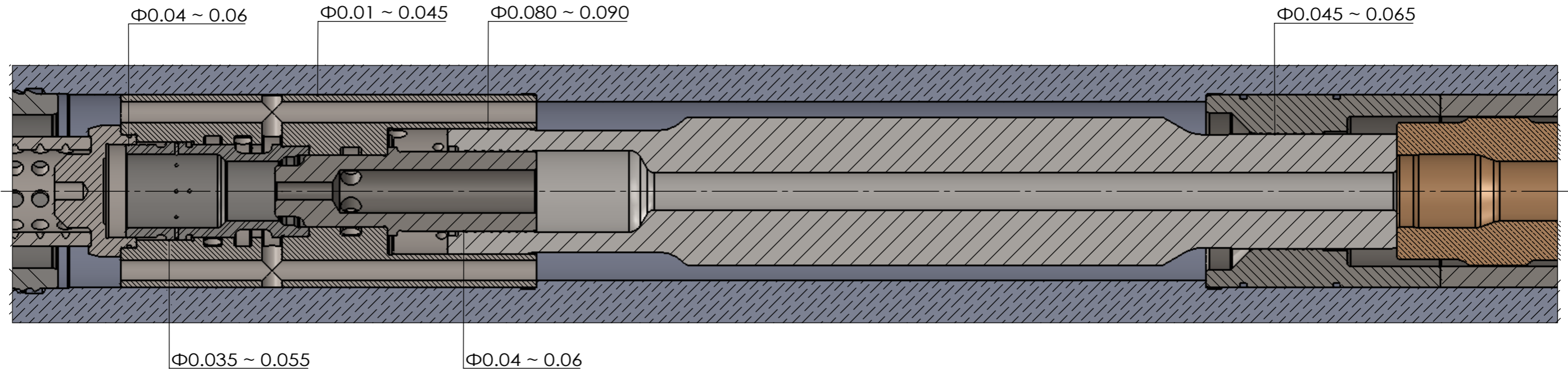
품번	품명	수량
1	WEAR SLEEVE	1
2	BACKHEAD & O-RING	1
3	Filter Ring_MDTH60_V4.0	1
4	Valve Cover_MDTH60_V4.0	1
5	Valve_MDTH60_V4.0	1
6	Valve Housing_MDTH60_V4.0	1
7	Sliding Tube_MDTH60_V4.0	1
8	Piston_MDTH60_V4.0	1
9	Piston Bush_MDTH60_V4.0	1
10	Distance Ring_MDTH60_V3.0	1
11	BIT RING & O-RING	1
12	CHUCK	1
13	Bit DHD360	1


**CS** CHANG-SHIN INT'L CO.,LTD  
ULSAN KOREA

APP'D		TITLE	MUD Powered DTH Hammer
CH'D		MATERIAL	MODEL
CH'D		STD	MDTH60_V4.0
DRAW		Proj	3각법
DATE	SIGN.	Weight	140 kg
		DWG NO.	CS-MDTH60-H

REV.	DESCRIPTION	DATE	DWG	CH'D	CH'D	APP'D
△	First Issued	'19.01.30	CH.R.KIM	-	-	C.G.LEE

# Clearance



		<b>CHANG-SHIN INT'L CO.,LTD</b> ULSAN KOREA	
APP'D		TITLE MUD Powered DTH Hammer	
CH'D		MATERIAL	MODEL
CH'D		STD	MDTH60_V4.0
DRAW		Proj. 3각법	DWG NO. CS-MDTH60-H
DATE	SIGN.	Weight 140 kg	