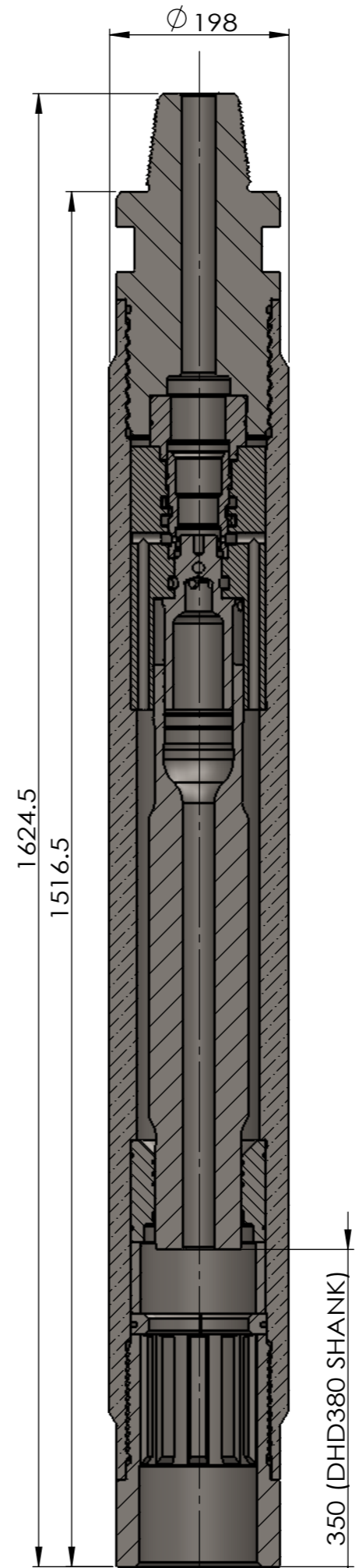
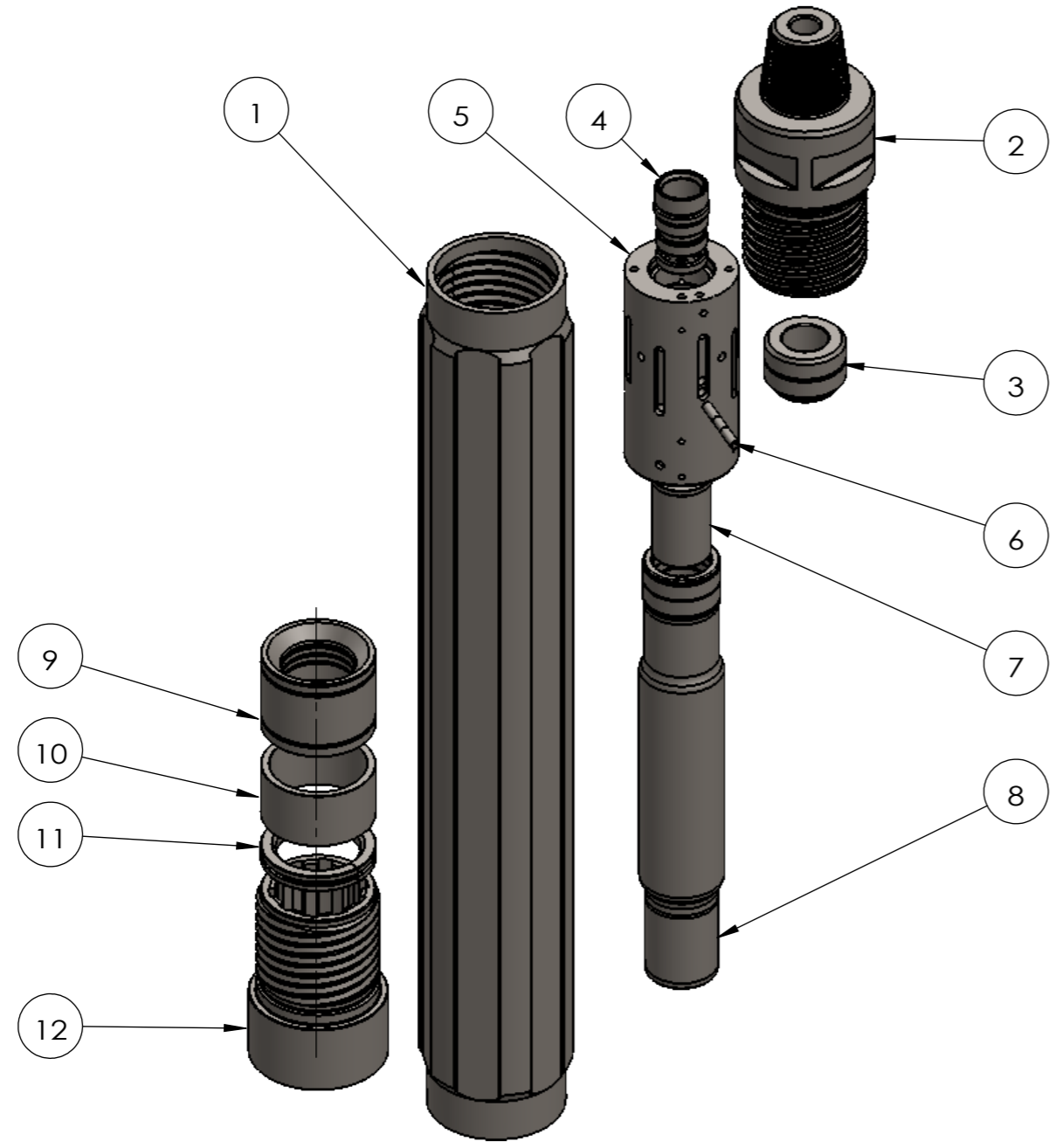


REV.	DESCRIPTION	DATE	DWG	CH'D	CH'D	APP'D
△	First Issued	'17.05.31	J.Y.CHO	CH.R.KIM		C.G.LEE



품번	품명	수량
1	WEAR SLEEVE	1
2	BACKHEAD & O-RING	1
3	Valve Cover_W80	1
4	Valve_W80	1
5	Valve Housing_W80	1
6	Pin_W80	1
7	Sliding Tube_W80	1
8	Piston_W80	1
9	Piston Bush_W80	1
10	Distance Ring_W80	1
11	BIT RING_W80	1
12	CHUCK_W80	1

CS CHANG-SHIN INT'L CO.,LTD
ULSAN KOREA

APP'D		TITLE	Water Powered DTH Hammer
CH'D		MATERIAL	STD
CH'D		MODEL	W80_V3.1
DRAW		Proj	3각법
DATE	SIGN.	Weight	226 kg
		DWG NO.	CS-W80-H