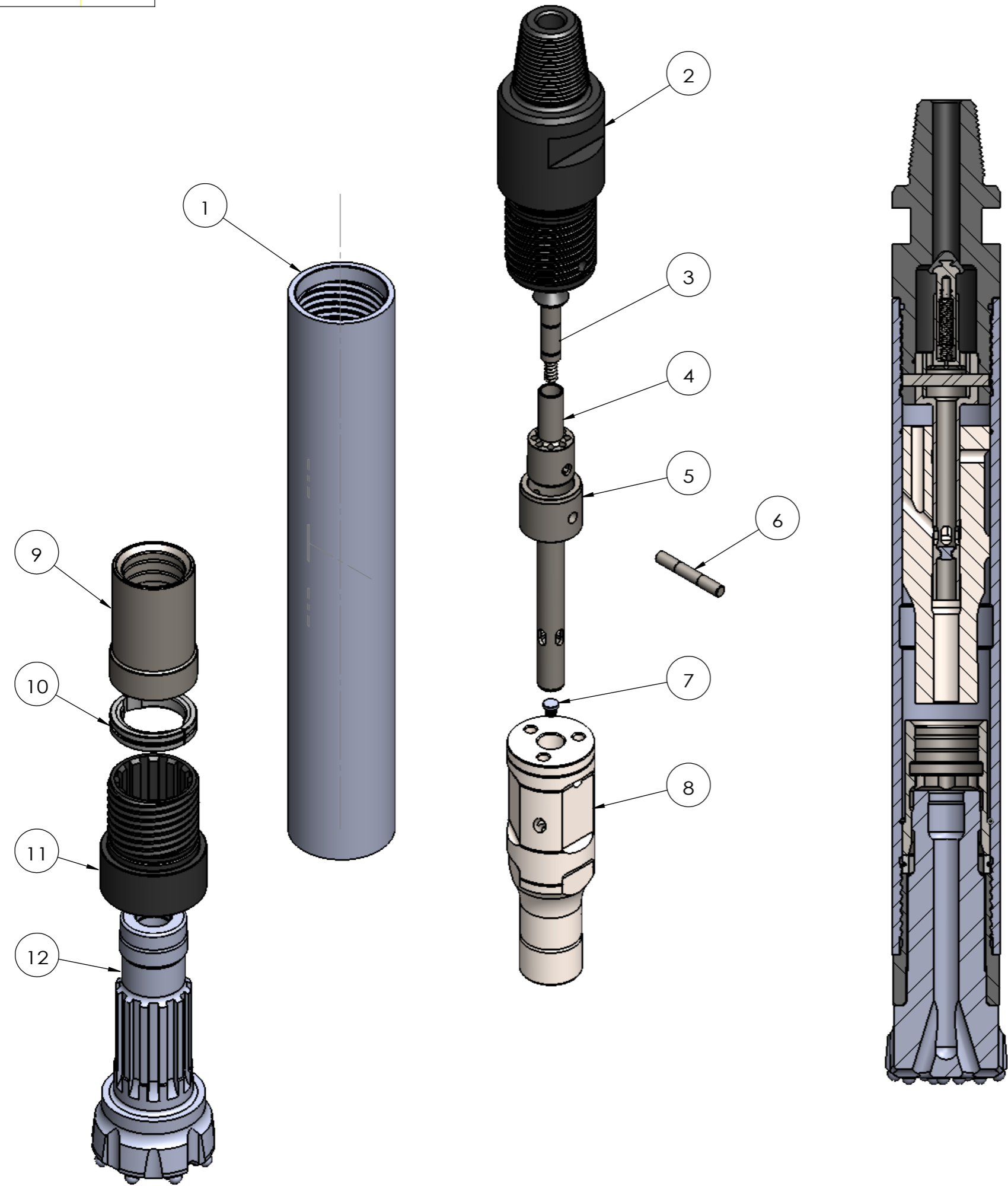


REV.	DESCRIPTION	DATE	DWG	CH'D	CH'D	APP'D
△	First Issued	'17.09.05	CH.R.KIM	-	-	C.G.LEE



품번	품명	수량
1	WEAR SLEEVE	1
2	BACKHEAD	1
3	CHECK VALVE WITH SPRING	1
4	CHECK VALVE BOX	1
5	AIR TUBE	1
6	AIR TUBE PIN	1
7	PLUG-BLIND	1
8	PISTON	1
9	PISTON BUSH	1
10	BIT RETAINING RING & O-ring	1
11	CHUCK	1
12	Bit	1

CS CHANG-SHIN INT'L CO.,LTD
ULSAN KOREA

APP'D		TITLE	Sp 50QL_VL Hammer Assy	
CH'D		MATERIAL	MODEL	
CH'D		STANDARD	SP50QL/VL	
DRAW		Proj	3각법	DWG NO.
DATE	SIGN.	Weight	56.2 kg	SP50QL-VL-00