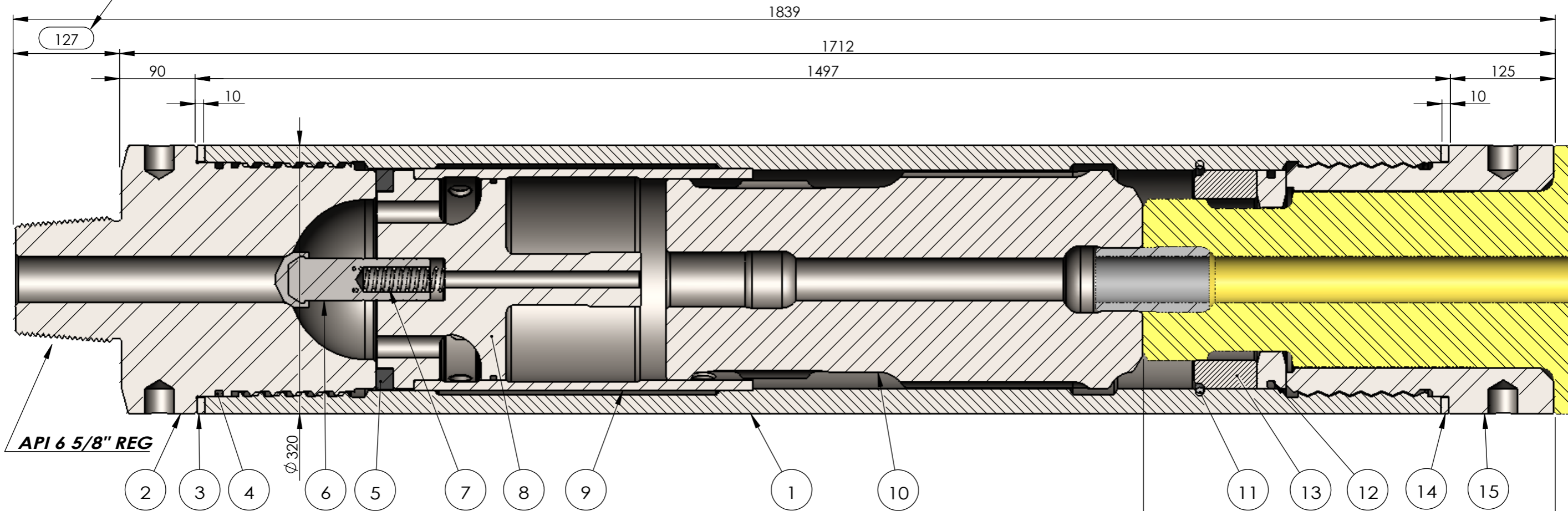



Back Head 나사 구격에 따라 다를 수 있음.



품번	품명	수량
1	WEAR SLEEVE	1
2	BACKHEAD	1
3	BACKHEAD WASHER	1
4	BACKHEAD O-RING	1
5	urethane Buffering	1
6	CHECK VALVE	1
7	CHECK VALVE SPRING	1
8	AIR DISTRIBUTOR with O-RING	
9	Cylinder	1
10	Piston	1
11	PISTON STOP RING	1
12	BIT RETAINING RING with O-RING	1
13	GUIDE BUSH	1
14	CHUCK WASHER	1
15	CHUCK(N-125)	1



CHANG-SHIN INT'L CO.,LTD
ULSAN KOREA

APP'D	-	TITLE	CS-320 NUMA Hammer Assy
CH'D	-	MATERIAL	MODEL
CH'D	-	STANDARD	CS-320
DRAW	-	Proj	3각법
DATE	SIGN.	Weight	781 KG
		DWG NO.	CS-320-N-00