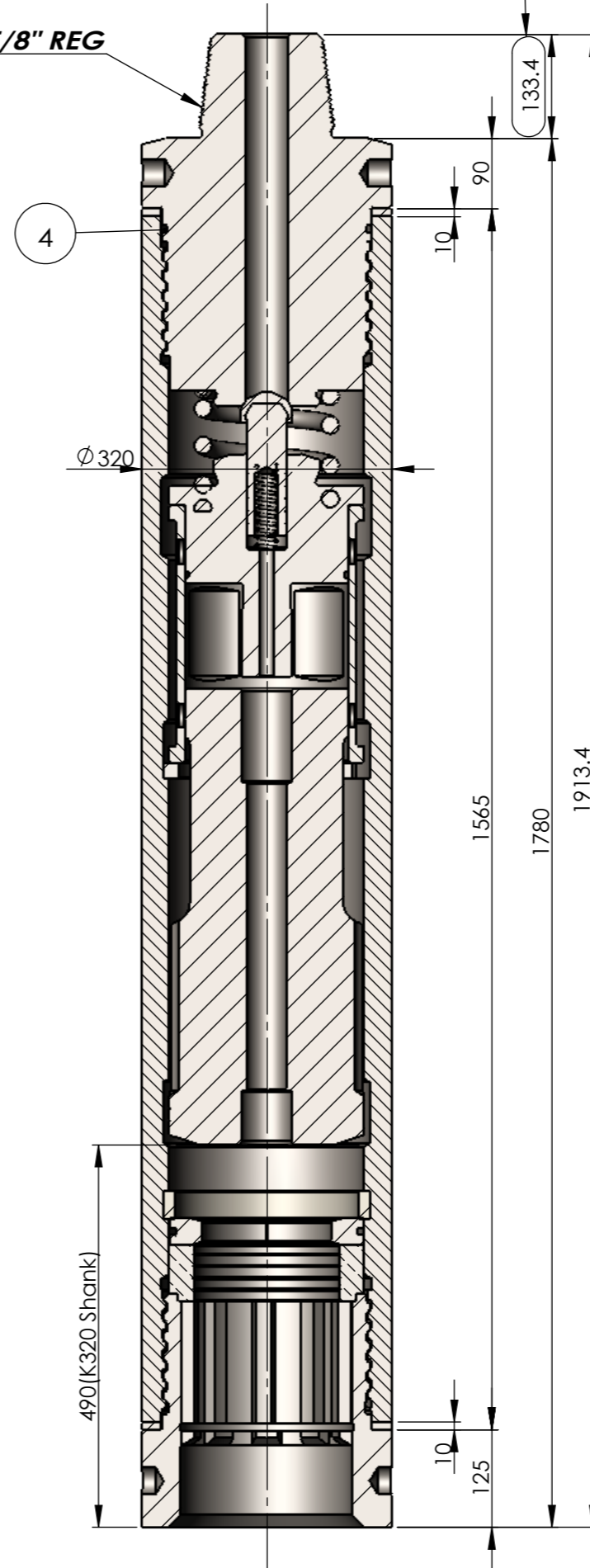
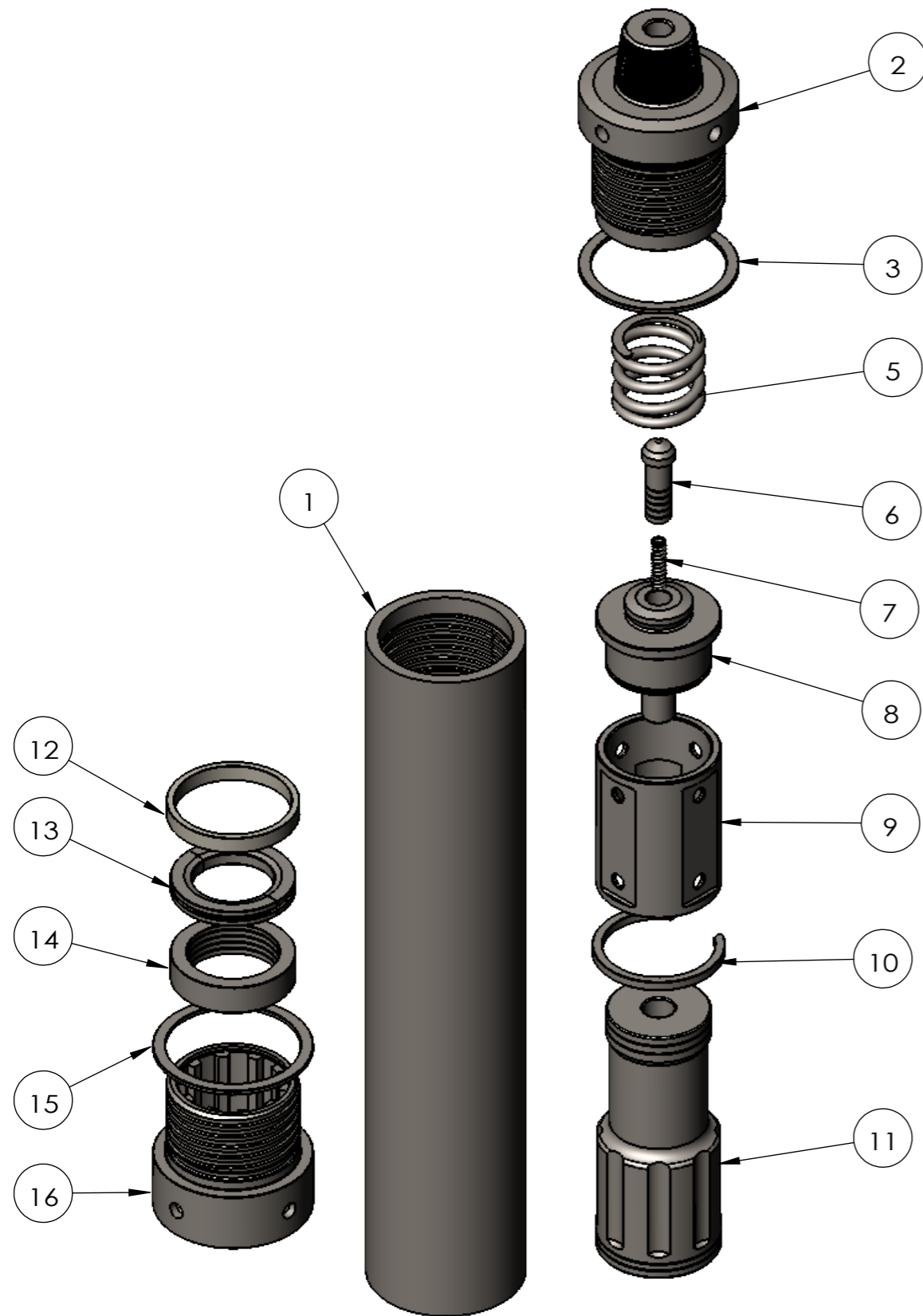


REV.	DESCRIPTION	DATE	DWG	CH'D	CH'D	APP'D
△	도면정리를 위한 등록.	'15.09.04	CH.R.KIM	-	-	C.G.LEE
△	Back Head 나사 API 7 5/8" REG	'15.09.04	CH.R.KIM	-	-	C.G.LEE

Back Head 나사 구격에 따라 다를 수 있음.

API 7 5/8" REG



품번	품명	수량
1	WEAR SLEEVE	1
2	BACKHEAD	1
3	BACKHEAD WASHER	1
4	BACKHEAD O-RING (P255-D254.5*d8.4)	1
5	BUFFER SPRING	1
6	CHECK VALVE (12"용)	1
7	CHECK VALVE SPRING	1
8	AIR DISTRIBUTOR with O-RING(G210)	
9	CYLINDER	1
10	CYLINDER STOP RING	1
11	PISTON	1
12	PISTON STOP RING	1
13	BIT RETAINING RING with O-RING(P230)	1
14	CHUCK BUSH	1
15	CHUCK WASHER	1
16	CHUCK	1

CS CHANG-SHIN INT'L CO.,LTD
ULSAN KOREA

APP'D	'11.08.18	TITLE	CS-320 Hammer Assy	
CH'D	-	MATERIAL	MODEL	
CH'D	'11.08.18	STANDARD	CS-320	
DRAW	'11.08.18	Proj	32번	DWG NO.
DATE	SIGN.	Weight	848KG	CS-320-00