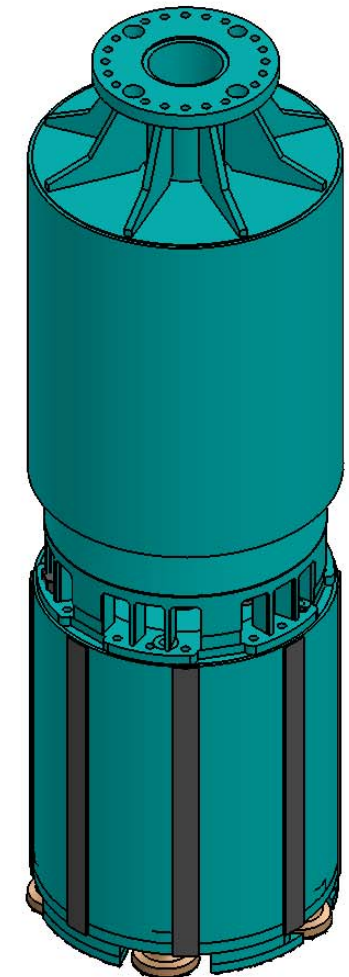
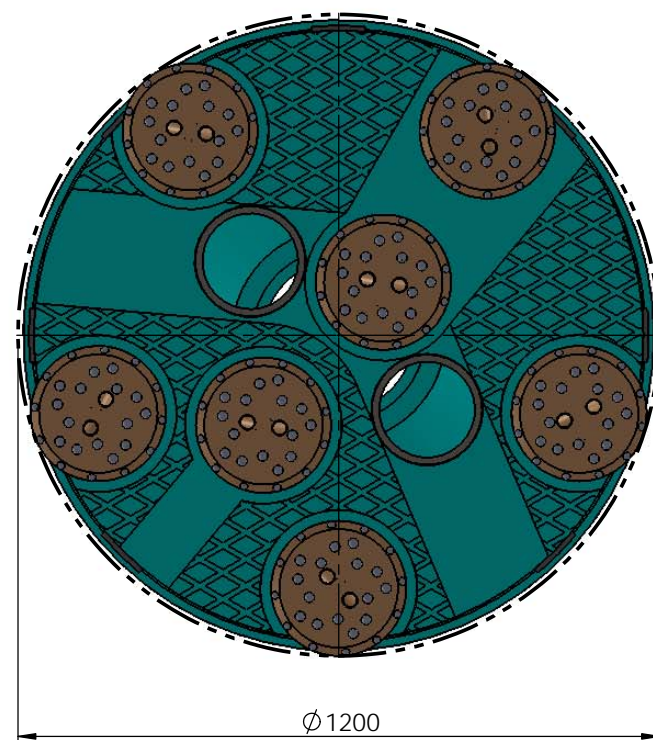


REV.	DESCRIPTION	DATE	DWG	CH'D	CH'D	APP'D
△	First Issued	'13.01.15	CH,R,KIM	T,Y,JANG	-	C,K,LEE

3793



1. CS-60 Hammer + 254mm Bit / 7Set.
2. Air Consumption
3,100cfm at 250psi
2,700cfm at 200psi
3. Air Distributing system
Exchangeable RC Pipe.

		CHANG-SHIN INT'L CO.,LTD ULSAN KOREA			
		TITLE Cluster Hammer Assy			
APP'D		MATERIAL		MODEL	
CH'D		STADARD		CD1200/RC	
DRAW		Proj	3차본	DWG	CS-CD-12RC-00
DATE	SIGN.	Weight	5,900KG	DWG NO.	