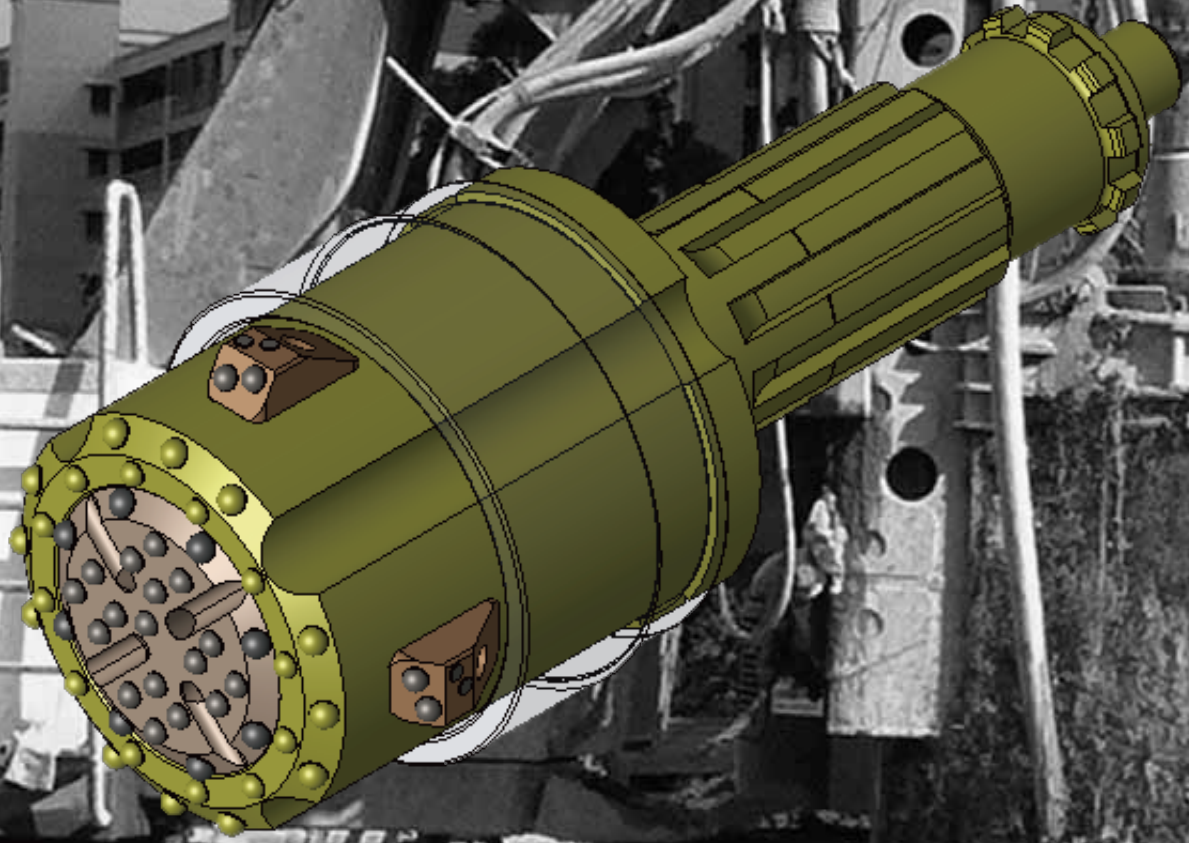


ROCWING



POWERFUL ROCWING BITS

SELF ACTUATING WING BITS

HIGH EFFICIENCY

UNIQUE CAM SLIDING SYS.

ACTING ANY GROUND CONDITION

HIGH PERFORMANCE

CONCENTRIC OVERBURDEN DRILLING SYSTEM

Chang Shin International

Tel : 82-52-239-3878

Fax : 82-52-237-0358

Email : csi@okcsi.com

Http : www.okcsi.com

ROCWING 240



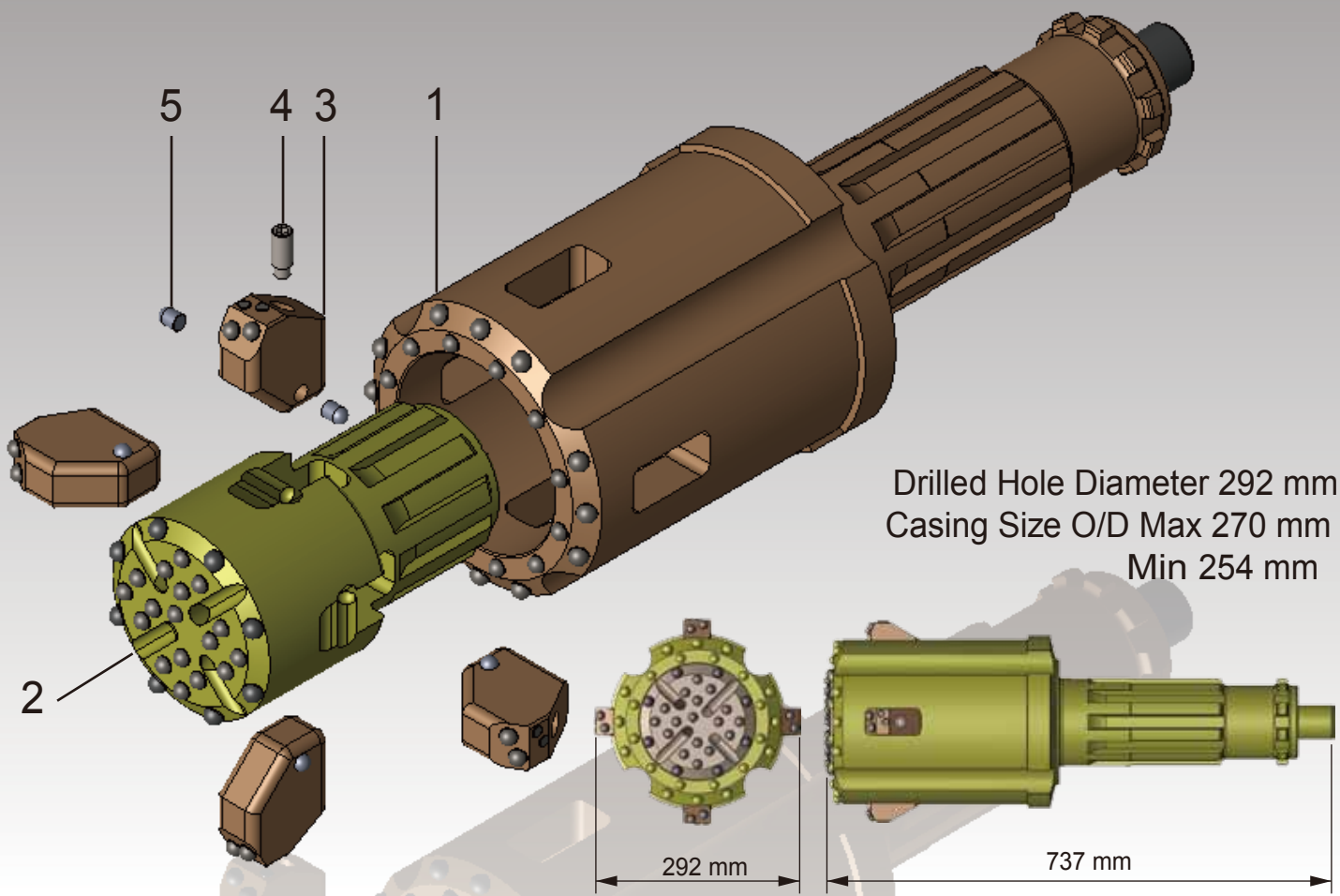
**CONCENTRIC OVERBURDEN
DRILLING SYSTEM**

ROC WING 240

ROC WING 240 is a concentric overburden bit for a hard formation rock bed. Because of enclosed rocwing bits, it shows the most efficient and powerful performance in ground drilling jobs.

When drilling job starts rocwing bits come out with unique cam sliding mechanism. it is the self actuating wing bits system that is not related with unpredictable ground condition. ROC WING 240 system is free from clogging in loose overburden material while it drill down to bedrock.

TECHNICAL SPECIFICATION



PART NAME

NO.	PART NAME	EA	PART NO.
1	Guide Device	1	TBA
2	Pilot Bit	1	TBA
3	Wing Bit	4	TBA
4	Socket Set Screw	4	TBA
5	Stop Pin	8	TBA

SPECIFICATION

ITEM	SIZE
Major Body Diameter	240 mm
Length	737 mm
System Open	292 mm
Casing Size O/D	270/254 mm
Total Weight	133 kg

**UNIQUE CAM SLIDING SYS.
SELF ACTUATING WING BITS
HIGH PERFORMANCE**

